

## The STAX

The Pan America Environmental STAX systems are a pipe flocculator type of design that provides multiple-chemical reaction contact in a compact, small footprint design without moving parts, wearing components and no need for power. The STAX design uses water turbulence induced by a spiral piping network to mix chemical products into a wastestream.

The design eliminates the need for mixing tanks, mixers and electrical consumption. The process takes place under highly controlled, well-defined and optimised conditions.

### Features Include:

- No power requirements and no moving parts, which means minimal maintenance.
- Uniform mixing in the pipe cross-section promotes uniform flocculation.
- No mixing dead zones.

Designed for a particular flow range, each pipe flocculator can be configured with:

- Multiple chemical injection ports for up to three stage treatment (coagulant, pH adjustment and flocculant).
- Centralized, valved chemical pump connection ports.
- Multiple sample ports.
- In-line monitoring probes (pH, suspended solids, conductivity).
- Flanged and NPT connections.

STAX flocculators come with an enamel coated, A36 carbon steel support frame as either a skid-mounted design for mobility/temporary use or for permanent installations.

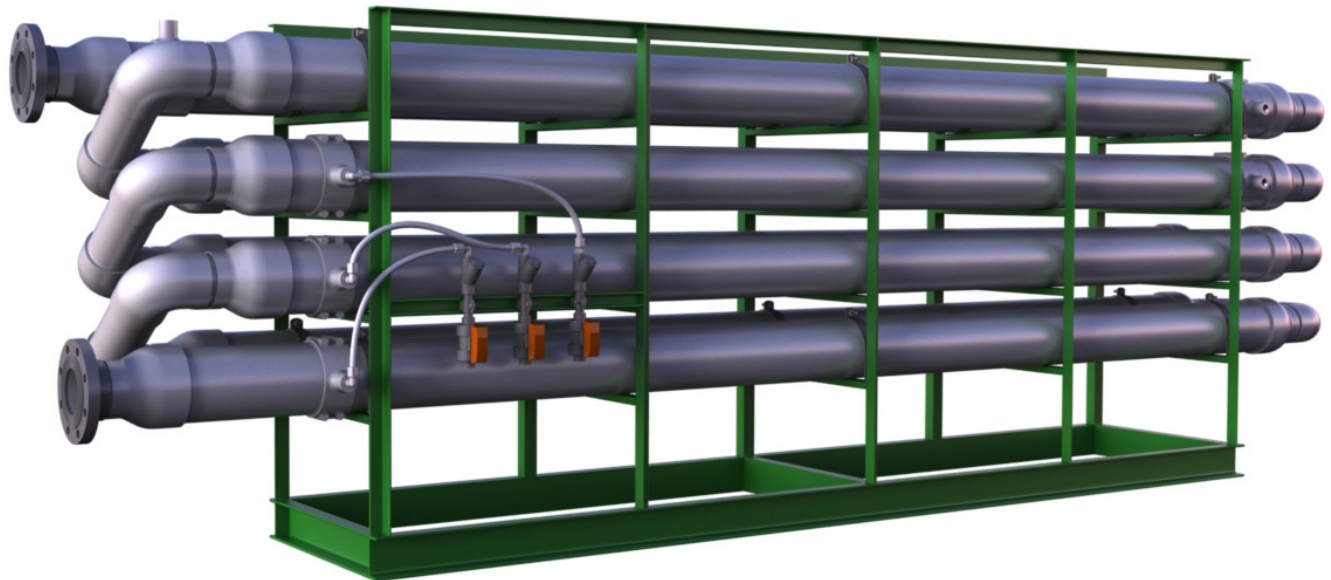
Unit sizes range from 1.5" to 10" pipe, and can be supplied in a variety of lengths and construction. Other diameters are available upon request. STAX flocculators can be customized and built to meet specific project requirements.

## Chemical Injection Systems

Coagulation, flocculation and pH neutralization systems can be provided to complete the STAX system.

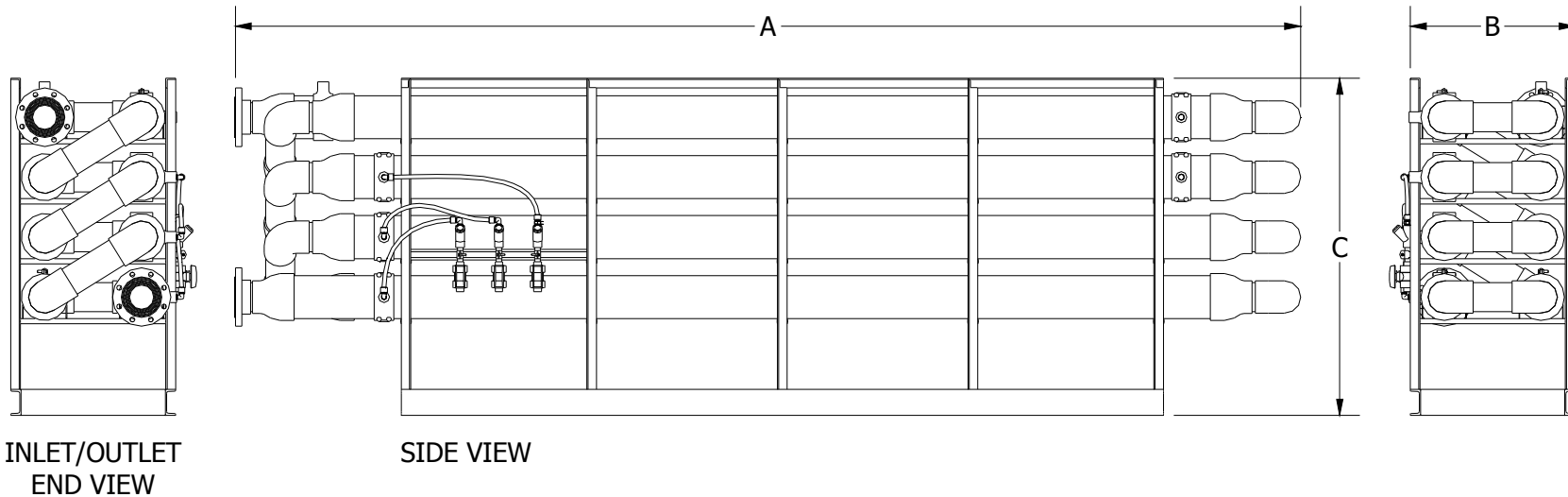
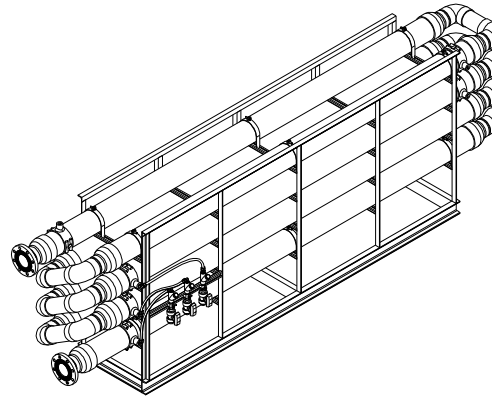
*The metering systems consist of the following:*

- Chemical metering pumps with injection quills
- Foot valve/screen, suction tubing
- Multi-function discharge valve
- Frequency/stroke adjustment on pump
- Wetend materials matched to chemicals being pumped
- Makeup/storage tank with mixer
- Controls



# Spiral Stax

Pipe Flocculator System



Model	Flow rate		Inlet/outlet Size	Length	Width	Height	Weight Lbs
	Min	Max					
STAX-215	20	50	1.5"	65"	18"	22"	380
STAX-32	35	105	2"	65"	18"	22"	430
STAX-43	80	200	3"	100"	20"	29"	615
STAX-64	160	435	4"	164"	29"	52"	735
STAX-86	350	800	6"	224"	36"	65"	875
STAX-108	600	1250	8"	224"	36"	65"	1060

Model # is pipe diameter + elbow diameter & sch. 80 PVC. All inlet/outlets are 150# Van Stone flange